

SMHW40G5

SANY

Quality Changes the World



REDEFINING MATERIAL HANDLING

PERFORMANCE AND EFFICIENCY ON THE HIGHEST LEVEL



MATERIAL HANDLER

SMHW40G5

Power
168 kW
Total weight
38 500 – 40 500 kg
Loading equipment
15 – 17 m

EQUIPMENT **SMHW40G5**

MATERIAL HANDLER

- + High efficiency
- + Intelligent hydraulic setup
- + Extensive safety features
- + Comfortable driver cabin

Travel speed max.
20 km/h
Overall weight
38500 – 40500 kg
Loading equipment
15 – 17 m



ENGINE

Manufacturer	CUMMINS
Model	Q6.7
Engine power	168 kW / 2000 rpm
Max. torque	1 044 Nm
Emissions standard	EU Stage V
Displacement/number of cylinders	6.7 l / 6
Diesel fuel capacity	560 l
AdBlue fluid	50 l

CABINE

Lifting range	2650 mm
Eye level	5800 mm

GEARBOX

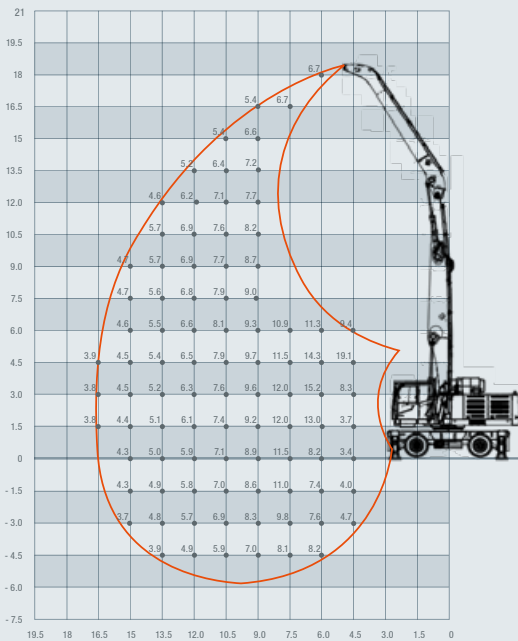
Max. travel speed	20 km/h
Climbing power	35 %
Gearbox type	Hydrostatic drive, 0–5 km/h, 0–20 km/h
Gearbox model	DANA 2-speed
Axles	KESSLER / SANY, both axles with steering and drive
Steering type	Front-wheel steering
Tires	12.00-20 solid rubber

HYDRAULIC SYSTEM

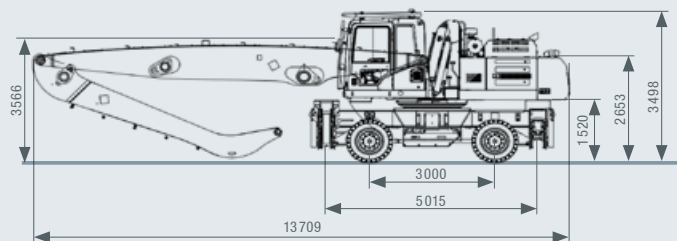
Hydraulic pressure	320 bar
Max. oil flow	2x 288 l/min
Filling quantity of the hyd. system	320 l
Swing speed	8 rpm

LOADING EQUIPMENT

Arm	Boom	Stick
15 m	8.9 m	6.5 m
17 m	9.8 m	7.5 m



Arm: **17 m**
Boom: **9.8 m**
Stick: **7.5 m**



Not all products are available in all markets. As part of our continuous improvement process, we reserve the right to modify specifications and designs without giving prior notice. The figures may contain additional options.

SANY

Quality Changes the World

SANY EUROPE GmbH
Sany Allee 1
D-50181 Bedburg
Tel. +49 2272 90531 100
Fax +49 2272 90531 109
info@sanyeurope.com
www.sanyeurope.com